

NOTE

- SCOPE BOUNDARY LINE INDICATION
CLIENT SCOPE [Symbol] VENDOR SCOPE [Symbol]
- FOR SYMBOLS AND ABBREVIATION PLEASE REFER AS BELOW
- ALL DRAIN POINT OUTLETS SHALL TERMINATE WITH A MINIMUM VISIBLE AIR GAP OF 50 mm.

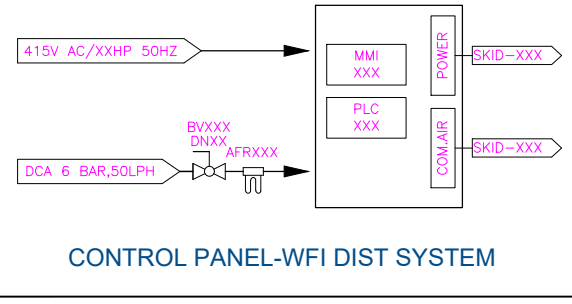
INTERLOCK SCHEDULE

- IF TANK LEVEL IS HIGH GENERATE ALARM OPEN TANK MCDP OUTLET VALVE.
- IF TANK LEVEL IS HIGH HIGH GENERATE ALARM, CLOSE MCDP OUTLET VALVE.
- IF TANK LEVEL LOW, AN ALARM WILL BE GENERATED & START PUMP P-XXXXA OR P-XXXXB & AT LOW LOW LEVEL PUMP WILL TRIP WITH ALARM.
- RETURN LINE CONDUCTIVITY CT/CS-XXX HIGH WILL GIVE ALARM. RETURN LINE CONDUCTIVITY CT/CS-XXX HIGH HIGH WILL OPEN RETURN LINE 3-WAY VALVE FDVXXX TO DRAIN.
- GENERATE ALARM WHEN TEMPERATURE IN TT/TE XXX IS NOT MAINTAINED, ON/OFF HEATER AS PER SET POINT.
- RETURN LINE FLOW/VELOCITY FTXXX LOW WILL GIVE ALARM. VFD OF PUMP P-XXXX/B WILL CONTROL & MAINTAIN FLOW/VELOCITY AS PER FT XXX FEED BACK SET POINT.
- IF TT/TE-XXX FALL BELOW SET POINT GENERATE ALARM & OPEN APV-XXX. IF TT/TE-XXX ACHIEVED SET POINT SHUT OFF APV-XXX & MAINTAIN THE SET TEMPERATURE.
- DURING STERILIZATION OPEN ADV-XXX AND MAINTAIN TEMPERATURE SET POINT IN THE TT/TEXXX, CLOSE ADVXXX ONCE TT/TEXXX OBTAIN THE DESIRED SET POINT.
- MAINTAIN THE SET POINT TEMPERATURE IN TT/TEXXX ON THE STORAGE TANK, WHEN TEMPERATURE GOES BELOW SET POINT OPEN APVXXX & CLOSE APVXXX WHEN IT REACH ITS SET POINT.

USER POINT: 03 Nos
LINE SIZE: 3/4" OD
PEAK LOAD : 200 LPH
TOTAL PIPING : 260 Mtr

LEGENDS:-

TT	TEMPERATURE TRANSMITTER	SSV	SANITARY SAFETY VALVE	DV-XX	MANUAL 2 WAY DIAPHRAM VALVE	BV-XX	MANUAL BALL VALVE
TS	TEMPERATURE SENSOR	ST	SANITARY STEAM TRAP	ADV-XX	PNEUMATIC ACTUATED 2 WAY DIAPHRAGM VALVE		DRAINAGE
CT	CONDUCTIVITY TRANSMITTER	STV	STEAM VALVE	SV-XX	SAMPLING VALVE - 1/2" DV	FT-XX	FLOW TRANSMITTER
CS	CONDUCTIVITY SENSOR	STR	STEAM TRAP	P-XXX	CENTRIFUGAL PUMP WITH VARIABLE FREQUENCY DRIVE	SB-XX	SPRAY BALL
PG	PRESSURE GAUGE	UVD	ULTRA VIOLET DISINFECTANT UNIT	AZDV-XX	AUTOMATIC ZERO DEAD LEG VALVE	APV-XXX	ACTUATED PISTON VALVE
TOC	TOTAL ORGANIC CARBON ANALYSER	POU	POINT OF USE	ZDV-XX	ZERO DEAD LEG VALVE		
FDV	FLOW DIVERTER VALVE	PW	PURIFIED WATER				
CLT	CAPACITIVE LEVEL TRANSMITTER						
CPG	COMPOUND PRESSURE GAUGE						
JVF	JACKETED VENT FILTER						
SPG	SIPHON TYPE PRESSURE GAUGE						



HOMCO.
CONSULTANT: KNACK TECHNOCRATS
42 AVINASH, J.P. ROAD, ANDHERI (W), MUMBAI - 400 053
TEL: 91 22 26314010, 26361629
EMAIL: info@knacktechnocrats.com

DRAWN BY	CHECKED BY	DATE	SCALE	DWG NO.	REVISION
ABID H	I ANSARI	21/09/2023	N.T.S		

TITLE: P&ID FOR WFI DISTRIBUTION SYSTEM
FILE: Z:\Homco\2024\UTILITY - 2024\WFI\DR1-WSPL-P-0063-05-D1-01 WFI DIS. SYSTEM-28.07.2023.dwg